

PRESSURE RELIEF DAMPER

GC

We Care For The Air You Breathe



Pressure Relief Damper Index

PRESSURE RELIEF DAMPERS (GGPRD)	GC-1
GGPRD APPLICATION	GC-1
GGPRD DESCRIPTION	GC-1
GGPRD MATERIAL SPECIFICATIONS	GC-1
GGPRD DIMENSIONS	GC-1
PRESSURE RELIEF DAMPERS (GAPRD)	GC-1
GAPRD APPLICATION	GC-1
GAPRD DESCRIPTION	GC-1
GAPRD MATERIAL SPECIFICATIONS	GC-1
GAPRD DIMENSIONS	GC-1
MOUNTING POSITION	GC-2
PERFORMANCE DATA	GC-2
ORDERING SYSTEM	GC-3

PRESSURE RELIEF DAMPERS (GGPRD)



APPLICATION

PRD is designed to protect HVAC systems and industrial processes by releasing air pressure. External linkage, ball bearing, blade counter balance and adjustable pressure setting weights.

DESCRIPTION

The pressure relief dampers are provided with counterweight.

The dampers are designed to maintain a constant pressure level inside pressurized rooms by relieving excess air when it exceeds the desired limit.

MATERIAL SPECIFICATIONS

Casing

0.9 - 1.8mm thickness Galvanized sheet

Blades

2V - 1.2mm Galvanized steel

Blade Seal

Vinyl or Foam Gasket

Bearings

Brass Bush size 12mm Ø

Linkage

Internal heavy duty with Galvanized steel arm and plated steel tie bars and pivot pins

Counterweight

Adjustable weights

Finish

Mill finish

DIMENSIONS OF DAMPERS

Minimum Single Section - 150 x 150 mm

Maximum Single Section - 1000 x 1000 mm

Maximum Multiple Sections - 3000 x 3000 mm

Powder coating available as optional

**Material Specifications subject to change as per customer's demand.*

PRESSURE RELIEF DAMPERS (GAPRD)



APPLICATION

PRD is designed to protect HVAC systems and industrial processes by releasing air pressure. External linkage, ball bearing, blade counter balance and adjustable pressure setting weights.

DESCRIPTION

The pressure relief dampers are provided with counterweight.

The dampers are designed to maintain a constant pressure level inside pressurized rooms by relieving excess air when it exceeds the desired limit.

MATERIAL SPECIFICATIONS

Casing

0.9 - 1.8mm thickness Galvanized sheet

Blades

1.6mm Aluminium

Blade Seal

Vinyl or Foam Gasket

Bearings

Brass Bush size 8mm Ø

Linkage

Internal heavy duty with Galvanized steel arm and plated steel tie bars and pivot pins

Counterweight

Adjustable weights

Finish

Mill finish

DIMENSIONS OF DAMPERS

Minimum Single Section - 150 x 150 mm

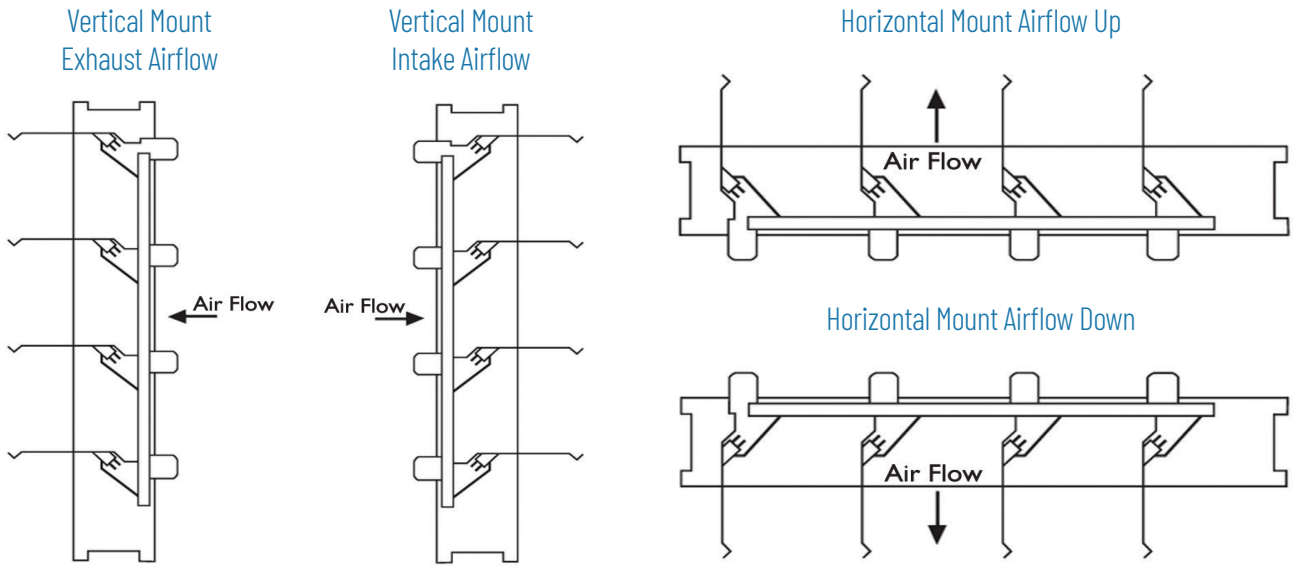
Maximum Single Section - 1000 x 1000 mm

Maximum Multiple Sections - 3000 x 3000 mm

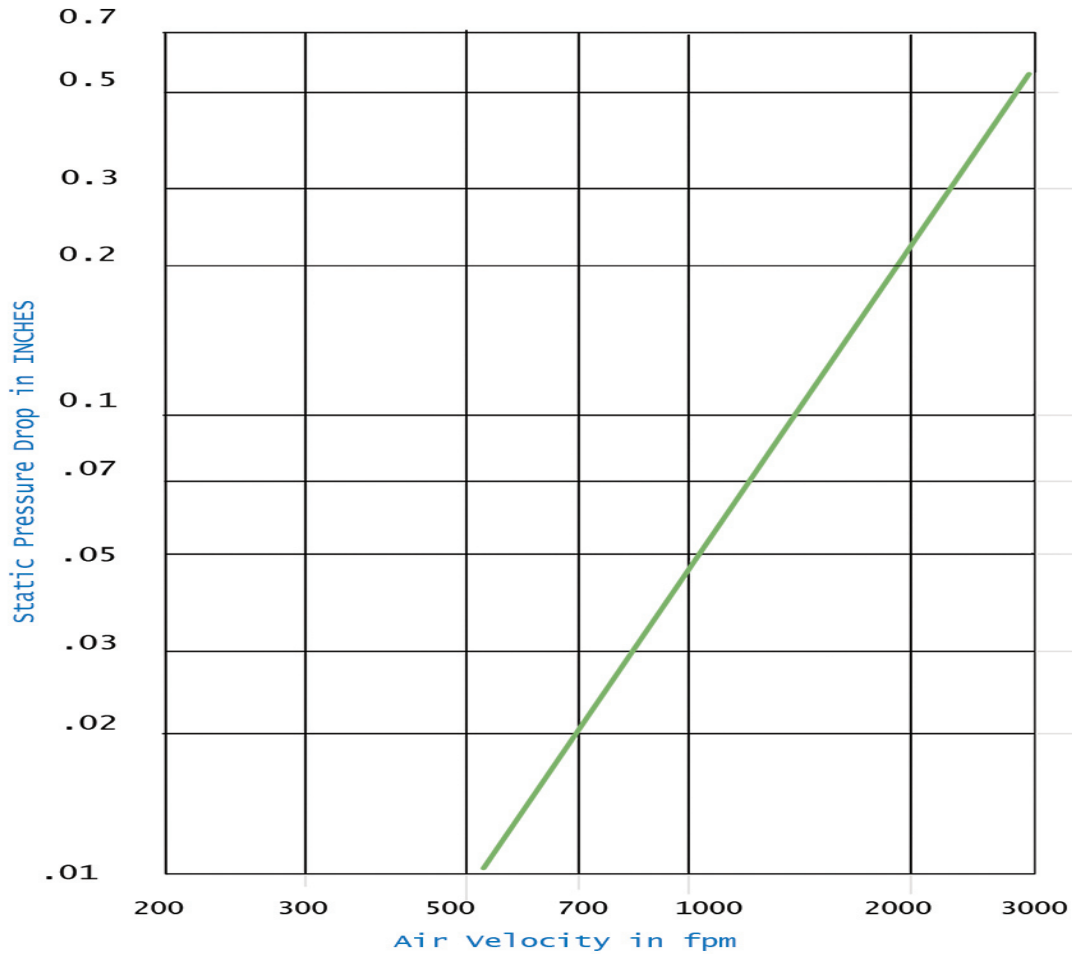
Powder coating available as optional

**Material Specifications subject to change as per customer's demand.*

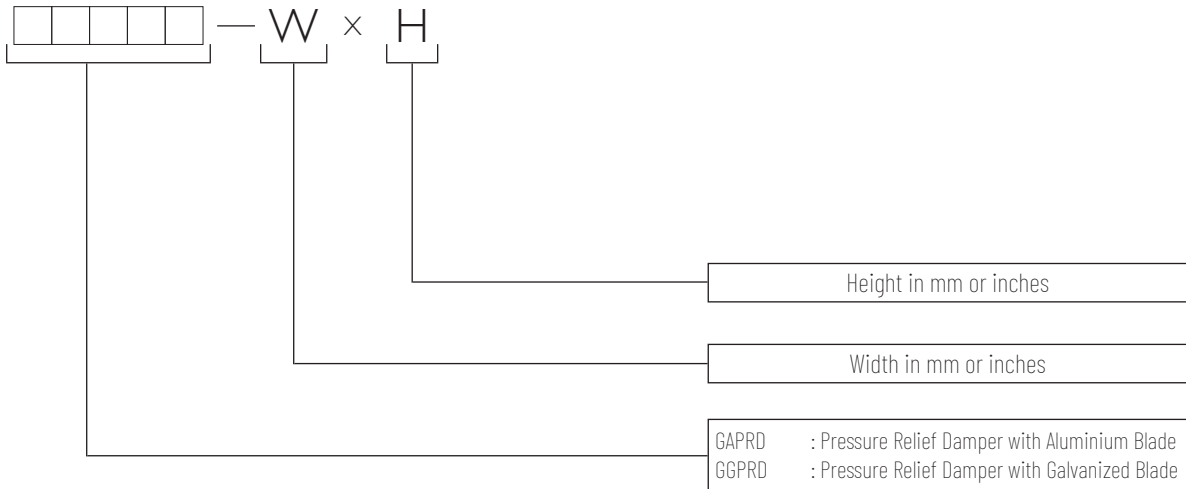
MOUNTING POSITION



PERFORMANCE DATA



ORDERING SYSTEM



Ordering Example

GGPRD - 36" x 20"

Refers to Pressure Relief Damper with Galvanized steel blades size 36" (width) x 20" (height)